

EMERALD ENERGY PRODUCTS

SPLIT SYSTEM AIR CONDITIONERS



EMERALD SPLIT SYSTEM AIR CONDITIONERS

2.5kW, 3.5kW, 5.0kW, 7.2kW

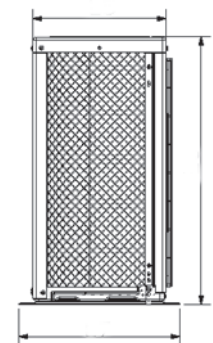
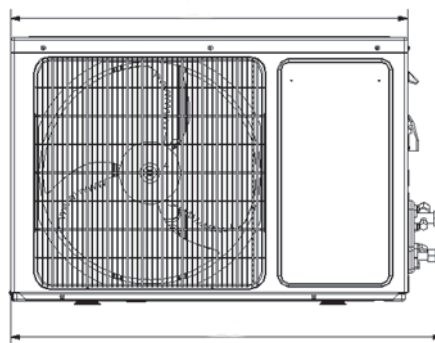
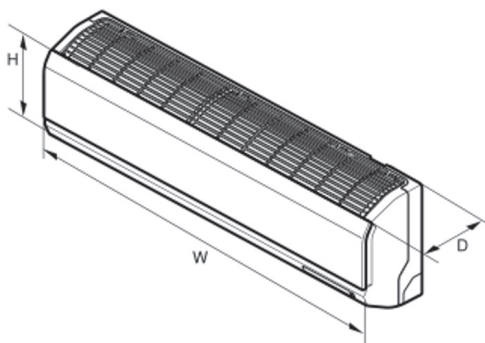
The Emerald Split Air Conditioner offers the best of both worlds, keeping your home cool in summer and warm in winter. This dual functionality makes it ideal for seasonal climates with cold winters and summers.

This air conditioning unit is exceptionally energy-efficient, thanks to its advanced heat pump technology, which leads to significant energy savings.

With various models available in multiple sizes, including 2.5kW, 3.5kW, 5.0kW, and 7.2kW, you can find the perfect fit for any sized room in the home.

FEATURES

- High efficiency DC inverter technology
- Designed for easy installation
- Rapid cooling with up to 40% increase in cooling capacity per minute
- Anti-corrosion protection on the outdoor unit, evaporator, condenser and fins and fastenings
- Breath easy with one-click smart self cleaning
- Stylish design
- 5 year system warranty 2 year labour and service



		ACSS25	ACSS35	ACSS50	ACSS72
Net Dimensions WxHxD (mm)	Indoor Unit	850×270×208	850×270×208	1131×315×238	1131×315×238
	Outdoor Unit	780×540×260	810×585×280	860×667×310	900×750×340

SPECIFICATIONS

MODEL NO.		ACSS25	ACSS35	ACSS50	ACSS72
Description		Emerald 2.5kW AC Split System	Emerald 3.5kW AC Split System	Emerald 5.0kW AC Split System	Emerald 7.2kW AC Split System
Ratings					
Cooling Capacity	W	2500	3500	5000	7200
Heating Capacity	W	3200	3700	5300	7500
Rated Input-Cooling	W	520	810	1230	1840
Rated Input-Heating	W	670	830	1240	1910
Moisture Removal	L/Hr	0.9	0.9	2.0	2.5
Air Circulation	m ³ /h	620	620	1200	1200
EER	W/W	4.81	4.32	4.07	3.91
COP	W/W	4.78	4.46	4.24	3.93
AEER	W/W	4.76	4.29	4.01	3.90
ACOP	W/W	4.74	4.42	4.22	3.91
TCSPF (HOT)	W/W	6.63	6.12	6.14	5.64
HSPF (HOT)	W/W	5.27	5.36	5.12	4.90
TCSPF (in Average)	W/W	6.08	5.67	5.51	5.31
HSPF (in Average)	W/W	4.88	4.74	4.56	4.31
TCSPF (Cold)	W/W	6.26	5.89	5.74	5.57
HSPF (Cold)	W/W	4.41	4.24	3.96	3.80
Energy star rating for Cooling New-HOT		5	4.5	4.5	4
Energy star rating for Heating New-HOT		3.5	3.5	3.5	3.0
Energy star rating for Cooling New-Average		4.5	4	4	3.5
Energy star rating for Heating New-Average		3	3	3	2.5
Energy star rating for Cooling New-Cold		4.5	4	4	4
Energy star rating for Heating New-Cold		2.5	2.5	2	2
Refrigerant (Type / kg)		R32/0.8	R32/0.92	R32/1.2	R32/1.58
Indoor Unit Sound Level (High)	dB(A)	39	46	47	47
Indoor Unit Sound Level (Silent)	dB(A)	25	32	32	32
Indoor Unit Sound Power Level	dB(A)	59	59	64	65
Outdoor Unit Sound Power Level	dB(A)	59	60	63	69
Power Supply					
Voltage, Frequency, Phase		220-240V/50Hz-1Ph	220-240V/50Hz-1Ph	220-240V/50Hz-1Ph	220-240V/50Hz-1Ph
Rated Current	Cooling (A)	2.3 (0.5~5.1)	3.6 (1.0~7.5)	5.5 (1.4~10)	11.0 (2.8~16.5)
	Heating (A)	3.0 (0.8~5.8)	4.4 (1.5~8.4)	7.3 (1.5~11)	11.0 (3.3~18.5)
Max	W	850/950	1250/1400	2100/2300	3400/4000
	A	5.1/5.8	7.5/8.4	12/13.1	16.5/18.5
System					
Compressor Type		Rotary	Rotary	Rotary	Rotary
Expansion Device		EEV	EEV	EEV	EEV
Evaporator		Copper tube and Aluminium Fin	Copper tube and Aluminium Fin	Copper tube and Aluminium Fin	Copper tube and Aluminium Fin
Condenser		Copper tube and Aluminium Fin	Copper tube and Aluminium Fin	Copper tube and Aluminium Fin	Copper tube and Aluminium Fin
Connecting Pipe Diameter					
Liquid Pipe	inch	1/4	1/4	1/4	3/8
Gas Pipe	inch	3/8	3/8	1/2	5/8
Features					
3DC (Indoor motor+outdoor motor+compressor)		Yes	Yes	Yes	Yes
Vertical Auto Swing Louver		Yes	Yes	Yes	Yes
Horizontal Auto Swing Louver		Yes	Yes	Yes	Yes
Hidden Display		Yes	Yes	Yes	Yes
LCD Wireless Remote Controller		Yes	Yes	Yes	Yes
Removable and Washable Panel		Yes	Yes	Yes	Yes
Washable PP Filter		Yes	Yes	Yes	Yes
24 Hours Timer		Yes	Yes	Yes	Yes
5 Speed and Auto Indoor Fan Control		Yes	Yes	Yes	Yes
Dimmer		Yes	Yes	Yes	Yes
Sleep Operation		Yes	Yes	Yes	Yes
Smart Function		Yes	Yes	Yes	Yes
Super Function		Yes	Yes	Yes	Yes
Auto Restart		Yes	Yes	Yes	Yes
Other					
Net Dimensions WxHxD (mm)	Indoor Unit	850×270×208	850×270×208	1131×315×238	1131×315×238
	Outdoor Unit	780×540×260	810×585×280	860×667×310	900×750×340
Net Weight (kg)	Indoor Unit	9	9	13	13
	Outdoor Unit	30	33	51	52
Packing Dimensions WxHxD (mm)	Indoor Unit	900×335×260	900×335×260	1220×400×310	1220×400×310
		910×600×360	940×630×385	995×720×420	1060×820×450
Gross Weight (kg)	Indoor Unit	11	11	16	16
	Outdoor Unit	33	36	54	56
Loading Capacity (40°HC)		103/220/264	96/198/228	60/128/148	54/110/125